

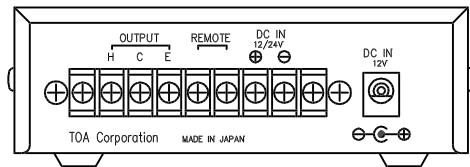
## DESCRIPTION

The RU-2001 is a microphone amplifier for the PM-660D Paging Microphone with a remote control switch and a 5-pin DIN socket. The power of the PM-660D's internal power amplifier, and global speaker output can be remotely controlled from the RU-2001.

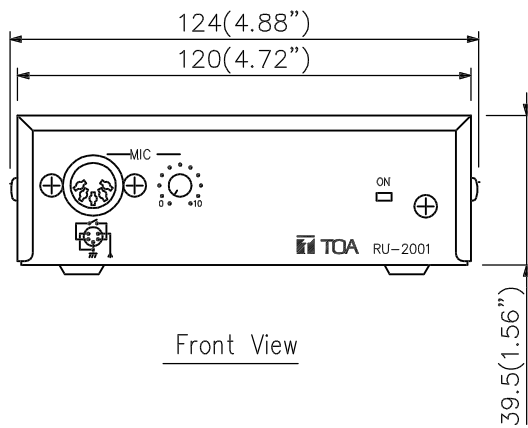
## SPECIFICATIONS

Power Requirement	12~24 V DC or 12 V AC adaptor
Current Consumption	60 mA
Microphone Input	-62 dBV, 600 Ω, unbalanced, 5-pin DIN socket
Output	0 dBV, 600 Ω, balanced, Screw terminal
Applicable Microphone	PM-660D
Color	Black
Dimensions(W×H×D)	124 (4.88")×42.5 (1.67")×159 (6.26") mm
Weight	700 g (1.54 lb.)
Accessory	Mounting bracket.....1

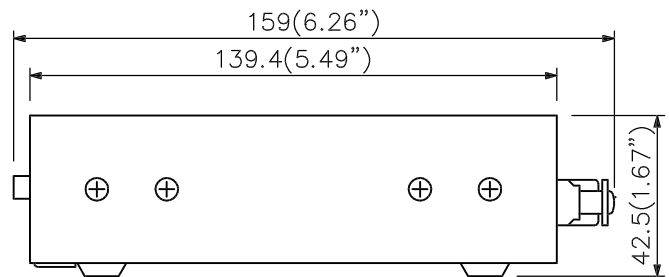
## APPEARANCE



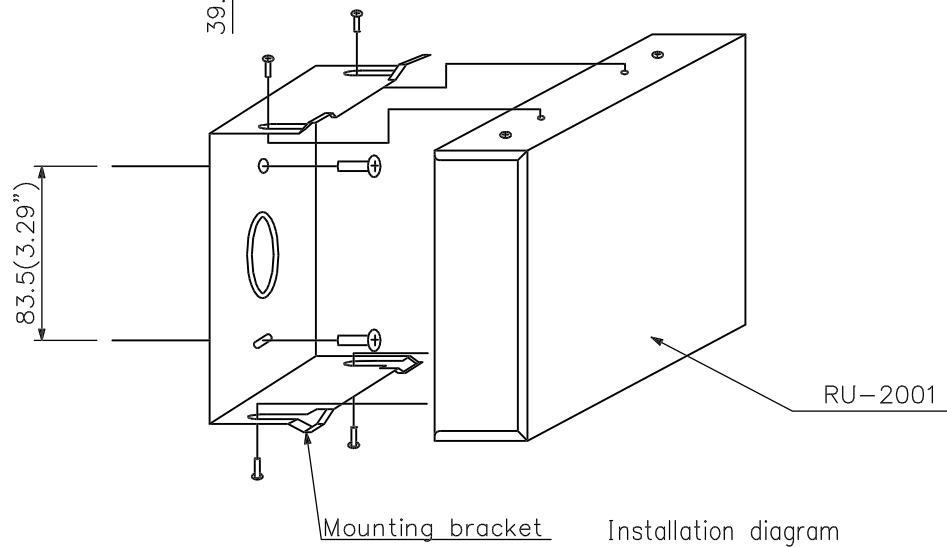
Rear View



Front View



Side View



Mounting bracket Installation diagram

UNIT:mm SCALE:1/2